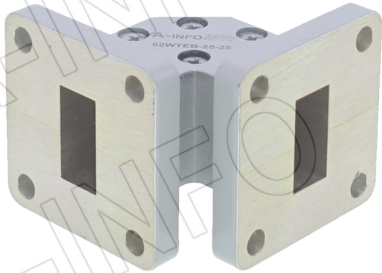


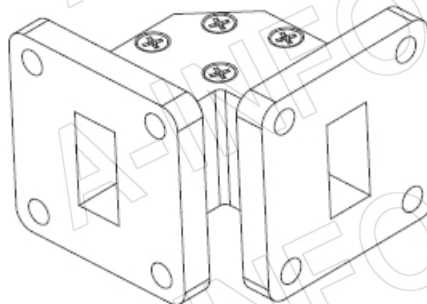
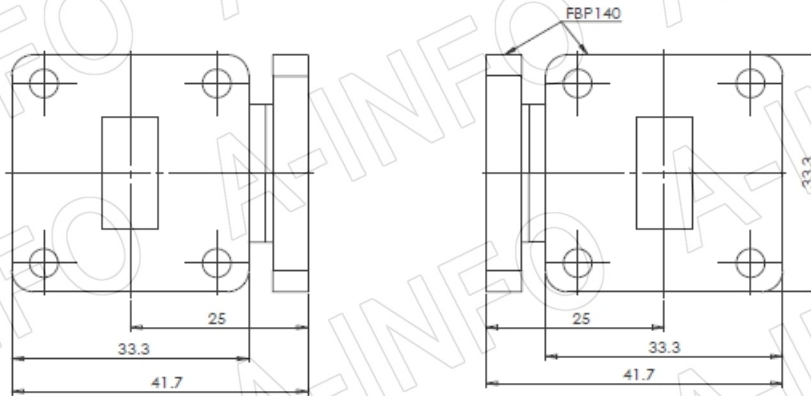
For reference only. See data sheet for the detailed specifications.

Technical Specification

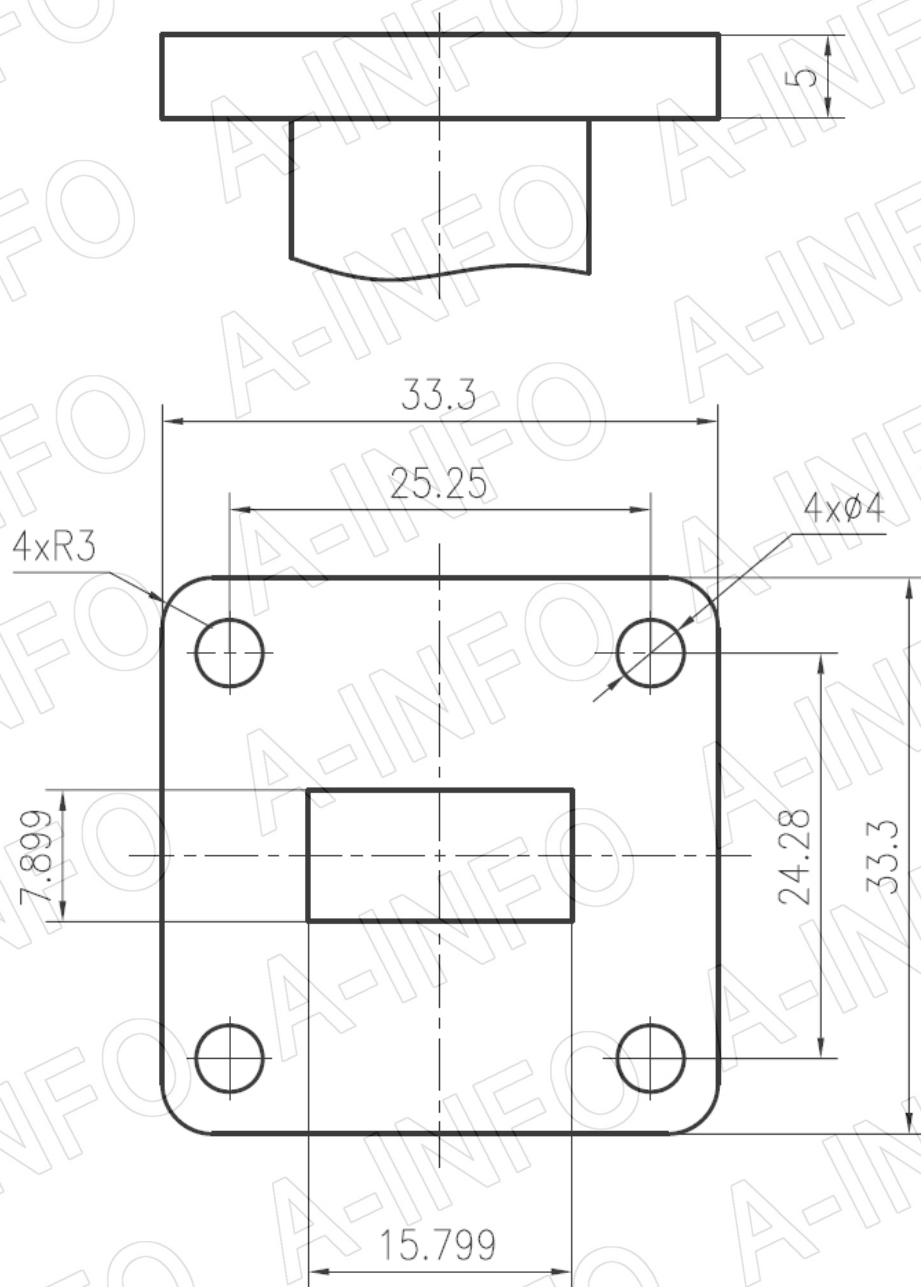


EIA WR	WR62
Frequency Range(GHz)	12.4 - 18.0
VSWR	1.20 max
Flange	FBP140
Material	Al
Size(mm)	41.7x41.7x33.3
Net Weight(Kg)	0.05 Around

Outline Drawing (Size: mm)



Flange Drawing (Size: mm)



FBP140

Test Results

VSWR

